

LIVE

Guy Bonneville

BLAM

DRIVEN BY PASSION

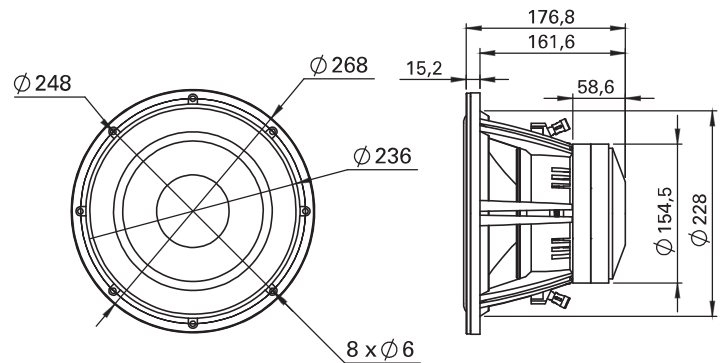
SUPER SUB 10

Subwoofer

Hi-efficiency 270 mm (10") subwoofer
Max. power 1000 W

- Max. power 1000 W / Nominal Power 500 W
- Frequency response 45 Hz - 500 Hz
- Impedance 2 x 2 Ohms

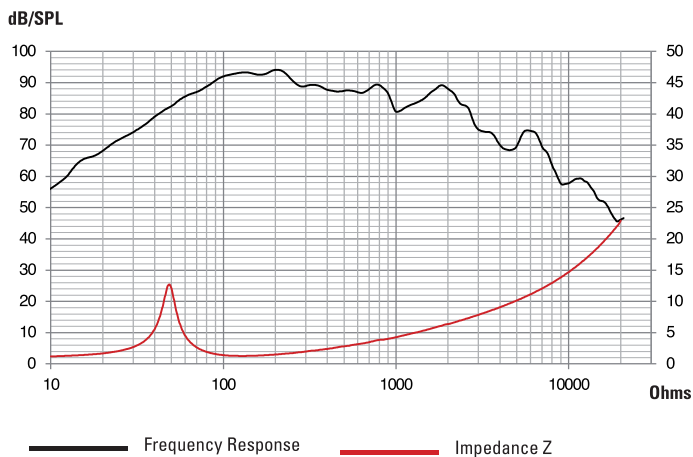
Die cast basket with machined gasket - Ultra rigid carbon fiber cone - Robust foam surround enables controlled long excursion without distortion - "Conex" spider with integrated lead wires - Dual 60 mm voice coils on fiberglass former - Dual Oversized 156 mm x 20 mm magnetic motor assembly - Machined extended T Yoke - Optimized for 25 liter (.88 cf) bass reflex enclosure (available as an option).



TECHNICAL SPECIFICATIONS

Component	Subwoofer	
Max power	1000 W	
Nominal power	500 W	
Impedance	2 x 2 Ω	
Freq. Response	45-500 Hz	
Sensitivity (2,83V/1m)	98,3 dB	
Magnet	Ferrite	
Magnet size Ø x h	2 x 156 x 20 mm	6,142" x 0,787"
Total driver displacement	1,7 l	0,06 cf
Weight of one component	2,3 kg	5,071 lb
Voice coil Ø	60 mm	2,362"
Voice coil height	24 mm	0,94"
Cone	Carbone fiber	

FREQUENCY RESPONSE / IMPEDANCE



THIELE-SMALL PARAMETERS

effective Ø (d)	205 mm
Sd	330,06 cm ²
Xmax	7 mm
Re	1 Ω
Fs	48,17 Hz
Le	147,47 µH @ 1 kHz
Le	496,26 µH @10 kHz
Vas	22,54 L
Mms	74,10 g
Cms	0,000147 m/N
BL	6,98 Tm
Qts	0,42
Qes	0,46
Qms	5,36
Sensitivity (dB/W/m)	89,3 dB

RECOMMENDED ENCLOSURES

Internal volume Vb	Internal ø port	Length port	Fb	F-3dB	Boost
20	10 cm	36 cm	52 Hz	51 Hz	0,5 dB at 85 Hz
30	10 cm	24 cm	50 Hz	45 Hz	0,9 dB at 58 Hz
40	10 cm	20 cm	46 Hz	41 Hz	0,9 dB at 50 Hz

contact@blam-audio.fr
www.facebook.com/blamaudio
www.blam-audio.fr