

# RELAX

Guy Bonneville

# BLAM

DRIVEN BY PASSION

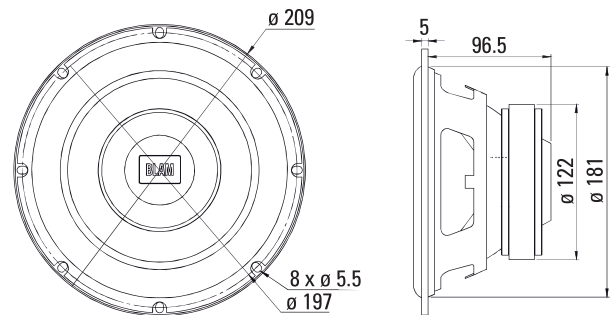
## R8 EL

### Subwoofer

**2 ohm 210 mm (8 ") subwoofer  
for compact enclosure  
Power Max 300W**

- 210 mm (8 ") subwoofer for compact enclosure
- Maximum power: 300 W / Nominal Power 150 W
- Frequency response 45 Hz - 500 Hz
- Impedance 2 Ohms

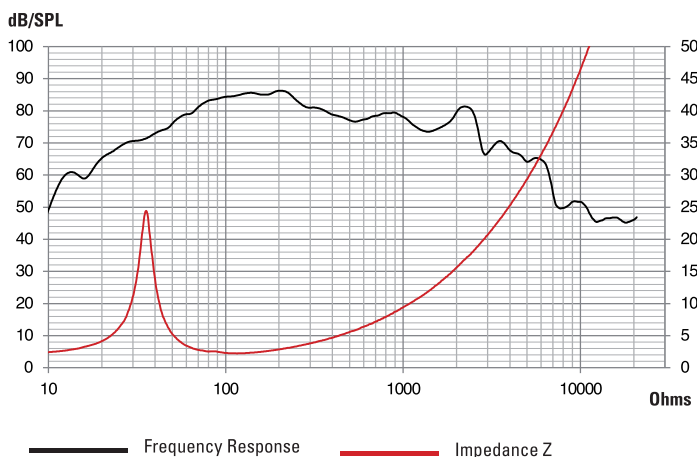
Steel basket with machined gasket - Rigid treated pulp cone - Butyl rubber surround - Long life "conex" spider - 40mm voice coil, on fiber glass former - 120 mm x 20 mm motor assembly - Machined extended T yoke - Optimized for use in a 10 to 13 liter bass reflex enclosure - Grille included



### TECHNICAL SPECIFICATIONS

<b>Component</b>	Subwoofer	
<b>Max power</b>	300 W	
<b>Nominal power</b>	150 W	
<b>Impedance</b>	2 Ω	
<b>Freq. Response</b>	45-500 Hz	
<b>Sensitivity (2,83V/1m)</b>	90,6 dB	
<b>Magnet</b>	Ferrite	
<b>Magnet size Ø x h</b>	120 x 20 mm	4,724 "x 0,787"
<b>Total driver displacement</b>	0,5 l	0,018 cf
<b>Weight of one component</b>	2,3 kg	5,071 lb
<b>Voice coil Ø</b>	38 mm	1,496"
<b>Voice coil height</b>	22 mm	0,866"
<b>Cone</b>	Rigid treated paper	

### FREQUENCY RESPONSE / IMPEDANCE



### THIELE-SMALL PARAMETERS

<b>effective Ø (d)</b>	165 mm
<b>Sd</b>	213,82 cm <sup>2</sup>
<b>Xmax</b>	8 mm
<b>Re</b>	2 Ω
<b>Fs</b>	35,58 Hz
<b>Le</b>	487,73 µH @ 1 kHz
<b>Le</b>	955,48 µH @10 kHz
<b>Vas</b>	20,82 L
<b>Mms</b>	61,72 g
<b>Cms</b>	0,000324 m/N
<b>BL</b>	7,36 Tm
<b>Qts</b>	0,47
<b>Qes</b>	0,51
<b>Qms</b>	5,74
<b>Sensitivity (dB/W/m)</b>	84,6 dB

### RECOMMENDED ENCLOSURES

Internal volume Vb	Internal ø port	Length port	Fb	F-3dB	Boost
10	7 cm	46 cm	47 Hz	46 Hz	4,0 dB at 73 Hz
15	7 cm	35 cm	44 Hz	39 Hz	3,5 dB at 61 Hz
25	7 cm	30 cm	40 Hz	35 Hz	3,0 dB at 53 Hz

contact@blam-audio.fr  
www.facebook.com/blamaudio  
www.blam-audio.fr